



XGEO GC80

**SMART DIGITAL
RADIOGRAPHY
SYSTEM**



Distributed by:

NeuroLogica

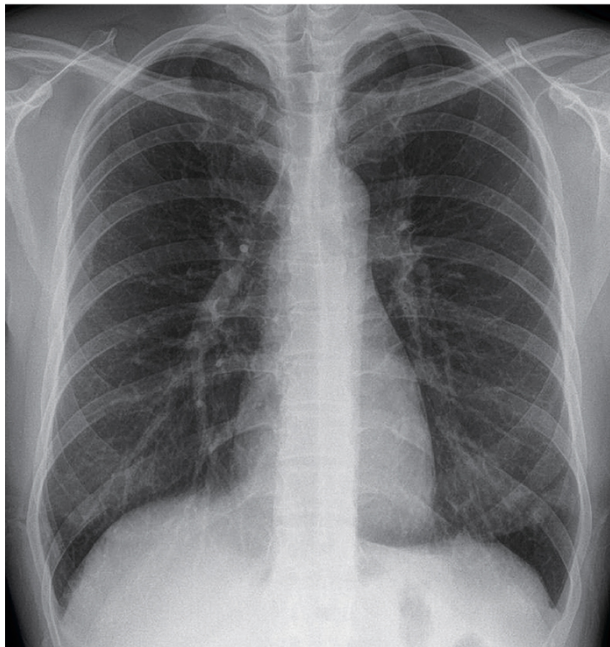
A Subsidiary of Samsung Electronics Co., Ltd

SMART DOSE MANAGEMENT:

DOSE WITH MINIMAL
EXPOSURE.



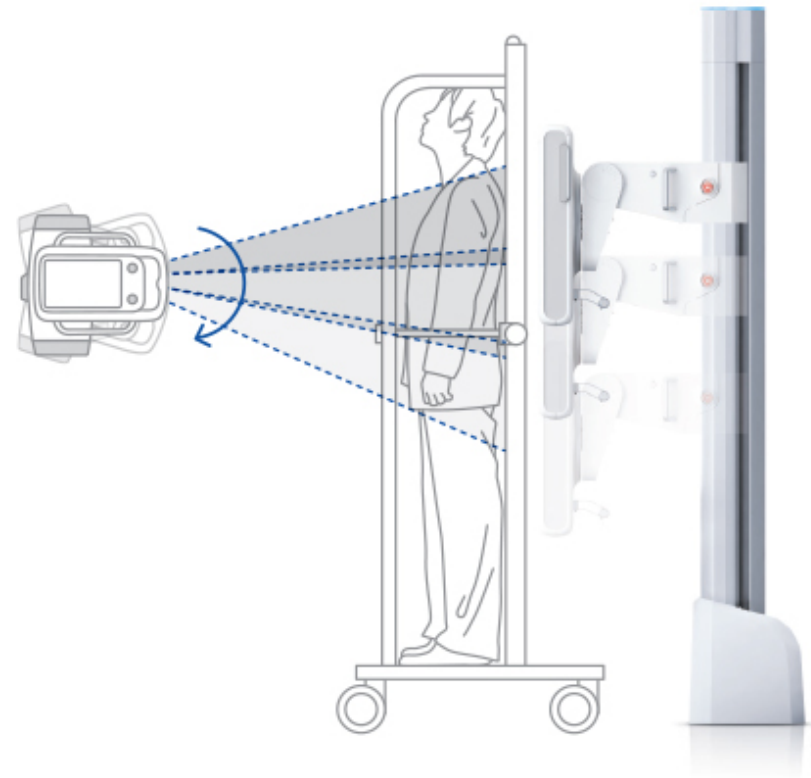
Δ^+ HIGH QUALITY IMAGES



SMART IMAGE QUALITY

Smart Stitching

Creates full body image without gaps or over-coverage





XGEO GC80



Smart Throughput

Improves workflow efficiencies and enhances user satisfaction.



Smart Dose Management

Dose with minimal exposure.



Smart Image Quality

Maximizes diagnostic information.

Distributed by:

NeuroLogica

A Subsidiary of Samsung Electronics Co., Ltd

©2013 NeuroLogica All Rights Reserved
NeuroLogica reserves the right to modify the design,
packaging, specifications and features shown herein,
without prior notice or obligation. Ver.1 / June 2013

Manufactured by: Samsung Electronics Co. Ltd
Health and Medical Equipment Business Team
416 Maetan3dong, Yeongtong-gu, Suwon-si
Gyeonggi-do 443-742, Korea